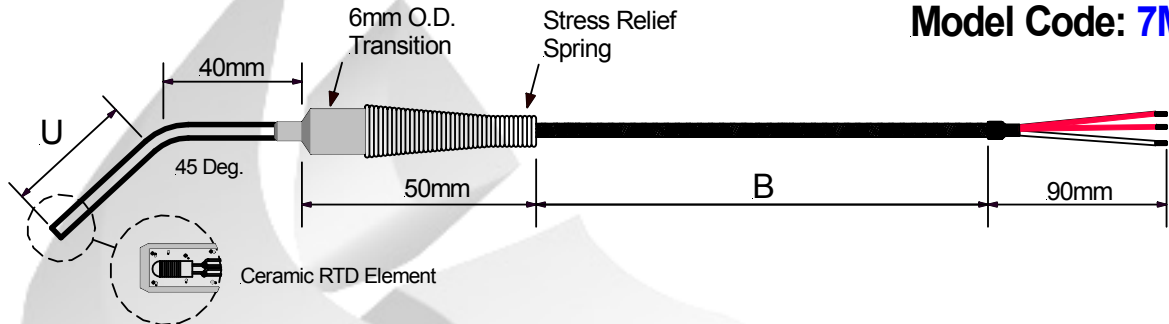


Mineral Insulated RTD

Metric General Purpose Type: 45 Deg. Bend

Operating Temperature:
-200 C to +500 C Max.

Model Code: **7M**



Compression fittings are sold separately. See accessory section.

Model: **7M**

A Outside Diameter

1	2 mm
2	3 mm
3	4 mm
4	6 mm

D RTD Element Type

Ohms	Class A	Class B
1 x Pt100	1	2
2 x Pt100	3	4
1 x Pt1000	5	6
2 x Pt1000	7	8

Temperature Coefficient: 0.00385
Platinum element
IEC 751

F "B" Dimension

Specify "B" Length
In Meters 0 2

Example "B" is 2 Meters = 02

B Sheath Material

A	304 Stainless
B	316 Stainless

E RTD Wire Connection

A	2 Wire Configuration
B	3 Wire Configuration
C	4 Wire Configuration

G Cable Insulation Description

A	24 gage, Stranded, Fiberglass
B	24 gage, Fiberglass, Metal Braid
C	.281" O.D. Flexible Armor Cable
D	.210" O.D. Flexible Armor Cable
E	24 gage, Stranded, Teflon
F	24 gage, Stranded, Sheilded, Teflon
G	24 gage, Stranded, PVC
H	24 gage, Stranded, Sheilded, PVC

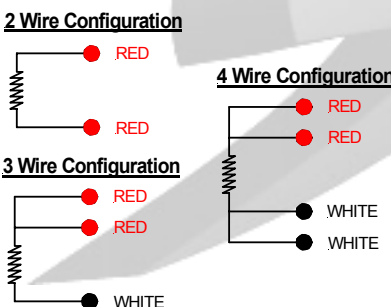
C "U" Dimension

Specify "U" Length
In mm 1 0 0

Example "U" is 100 mm = 100

H Termination

1	75 mm split leads & 15 mm bare ends
2	75 mm split leads & No.10 spade lugs
3	Standard Male Plug (350 F)
4	Standard Female Jack (350 F)
5	Mini Male Plug (350 F)
6	Mini Female Jack (350 F)



Connectors can only be installed on 2 & 3 wire configuration RTDs.