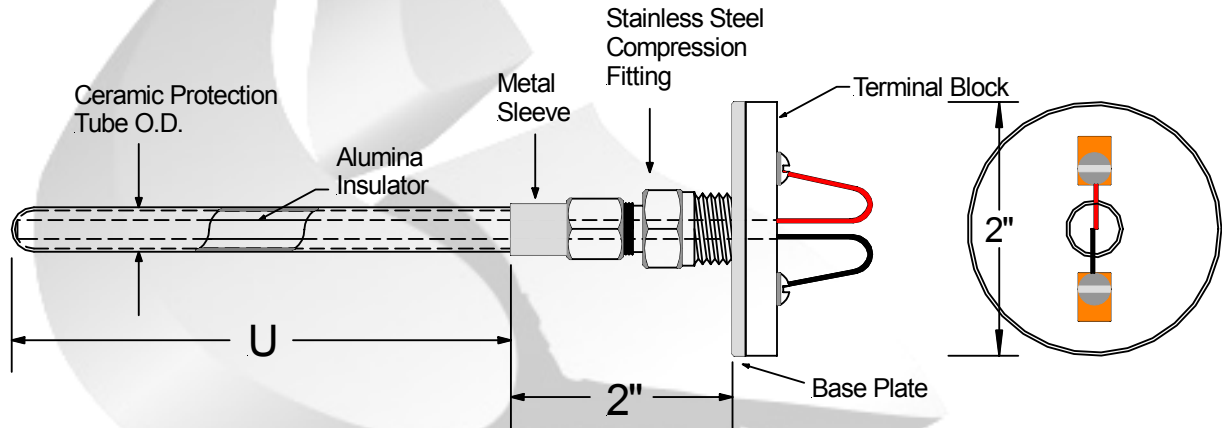


NOBEL METAL THERMOCOUPLES

Nobel Metal Thermocouple, Ceramic Protection Tube & Terminal Block Assembly

Model Code: **T5**

Operating Temperature:
+1000 C Max.



Model:

T5

A

B

C

D

E

F

A	Ceramic Tube Size
1	1/4" O.D.
2	3/8" O.D.

B	Protection Tube
A	Alumina 1800C Max.
B	Mullite 1600C Max.

C	"U" Dimension
	Specify "U" Length In Inches <u>06</u>

Example "U" is 6" = 06

D	Calibration	
	Standard Limits of Error	Special Limits of Error
A	S	D S
B	R	E R
C	B	F B

E	Wire Size		
	Gage	Single	Dual
	20	1	5
	24	2	6
	26	3	7
	28	4	8

F	Terminal Block Description
A	Ceramic
B	Ceramic, Spring Loaded
C	Plastic, 1" Dia. Micro Head Size

Nordic Sensors Ind. Inc. Tel: 1-888-667-3421 & Fax: 1-888-867-9986.