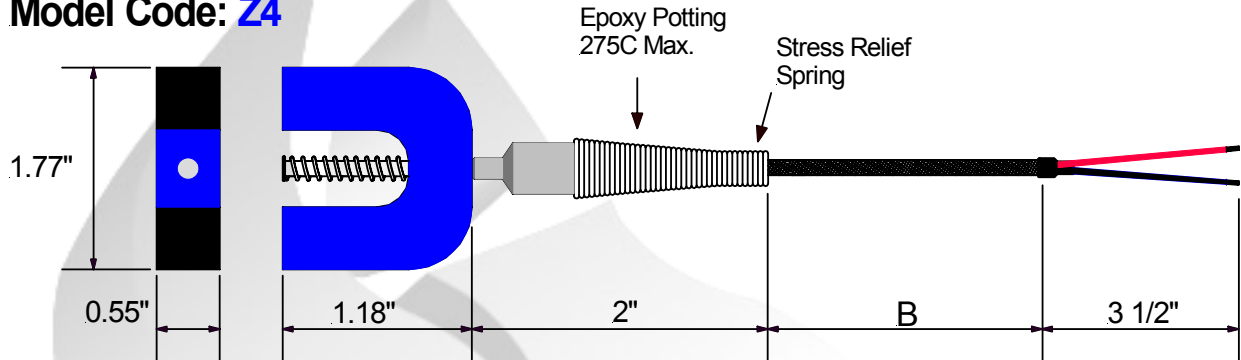


SPECIAL THERMOCOUPLE ASSEMBLIES

MAGNET MOUNT THERMOCOUPLE

Operating Temperature:
-200 C to +1000 C Max.

Model Code: **Z4**



Model: **A** **B** **C** — **D** **E** **F**

Z4 —

A Magnet Pull	
1	12 lbs
2	24 lbs

D "B" Dimension	
Specify " B " Length In Inches 0 4 8	

Example "B" is 48" = 048

B Calibration			
Standard Limits of Error		Special Limits of Error	
1	J	6	J
2	K	7	K
3	T	8	T
4	E	9	E
5	N	10	N

E Cable Insulation Description	
A	20 Gage, Stranded, Metal Braid
B	20 Gage, Stranded, Fiberglass
C	.281" O.D. Flexible Armor Cable
D	20 Gage, Stranded, Teflon
E	20 Gage, Stranded, PVC

C Junction Styles			
Element Description	Grounded		Ungrounded
	Common	Common	Isolated
Single	G	U	U
Duplex	D	F	H

F Termination	
1	3" Split Leads & 1/2" bare ends.
2	3" Split Leads & Spade Lugs.
3	Standard Male Plug (425 F)
4	Standard Female Jack (425 F)
5	Mini Male Plug (425 F)
6	Mini Female Jack (425 F)
7	Hi Temp. Male Plug (800 F)
8	Hi Temp. Female Jack (800 F)

Nordic Sensors Ind. Inc. Tel: 1-888-667-3421 & Fax: 1-888-867-9986.